

# Progressive Designs

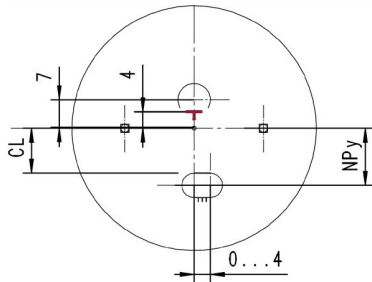


smart solutions for professionals.



## Solidar Advanced

Increased vision in comparison to our previous design and flexibility with the adjustment of the inset provides an even higher individual performance of the lens for the wearer.



|   |                                |
|---|--------------------------------|
| Corridor Length (CL)                    | 7 / 9 / 11 mm                  |
| Near Reference Point (NP <sub>y</sub> ) | 10 / 12 / 14 mm                |
| Fitting Height                          | 15 / 17 / 19 mm                |
| Inset/Variable                          | 0 - 4 mm                       |
| Decentration                            | up to 10 mm at max. dia. 80 mm |
| Default Wrap                            | 5°                             |
| Default Tilt                            | 7°                             |
| Back Vertex                             | 13 mm                          |
| Customize                               | Yes                            |
| Wrap Support                            | Yes                            |
| Atorical Optimization                   | Yes                            |
| Frameselection                          | Yes                            |
| Max. Diameter                           | 80 mm                          |
| Addition                                | 0.50 - 5.00 dpt.               |
| Application                             | Universal                      |

smart solutions for professionals.



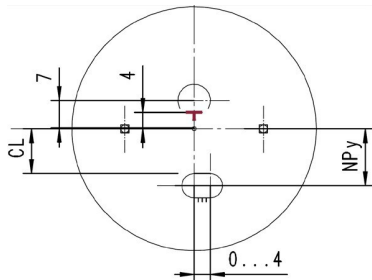
## Soldar Quattro Elite

**Custom Made Performance  
for the Life of Today**

The Solder Quattro Elite lens has achieved the remarkable goal of neutralizing to the greatest extent possible the 5 principal errors inherent in off-axis vision: spherical aberration, oblique astigmatism, distortion, coma, and curvature of field.

The correction of these optical errors appears as complex surface topography that provides exceptional vision.

The Quattro Elite design offers a wide vision for all areas and a comfortable change between near and far vision for an outstanding all around vision. Your view will be really natural and you'll even be able to read small digital information. Independent of the lifestyle, the Quattro Elite design will meet your highest expectations.



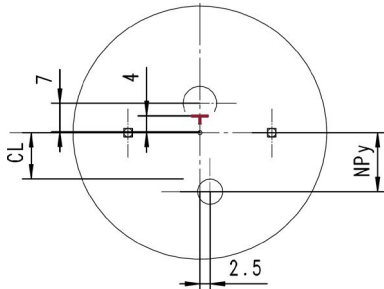
|                            |                                |
|----------------------------|--------------------------------|
| Corridor Length (CL)       | 7 / 9 / 11 mm                  |
| Near Reference Point (NPy) | 10 / 12 / 14 mm                |
| Fitting Height             | 15 / 17 / 19 mm                |
| Inset/Variable             | 0 - 4 mm                       |
| Decentration               | up to 10 mm at max. dia. 80 mm |
| Default Wrap               | 5°                             |
| Default Tilt               | 7°                             |
| Back Vertex                | 13 mm                          |
| Customize                  | Yes                            |
| Wrap Support               | Yes                            |
| Atorical Optimization      | Yes                            |
| Frameselection             | Yes                            |
| Max. Diameter              | 80 mm                          |
| Addition                   | 0.50 - 5.00 dpt.               |
| Application                | Universal                      |



## Solidar Elite 4K

Premium Custom Made  
Design with Highest  
Resolution

The new Elite 4K Design is a further progress for our customers benefit. This is a design with higher resolution that permits an easy adaption for every customer due to a even lower aberration than already known from our previous designs



|                            |                                |
|----------------------------|--------------------------------|
| Corridor Length (CL)       | 7 / 9 / 11 mm                  |
| Near Reference Point (NPY) | 10 / 12 / 14 mm                |
| Fitting Height             | 15 / 17 / 19 mm                |
| Inset                      | 2.5 mm                         |
| Decentration               | up to 10 mm at max. dia. 80 mm |
| Default Wrap               | 5°                             |
| Default Tilt               | 7°                             |
| Back Vertex                | 12 mm                          |
| Customize                  | Yes                            |
| Wrap Support               | Yes                            |
| Atorical Optimization      | Yes                            |
| Frameselection             | Yes                            |
| Max. Diameter              | 80 mm                          |
| Addition                   | 0.50 - 5.00 dpt.               |
| Application                | Universal                      |



## Thin-Tech Quattro

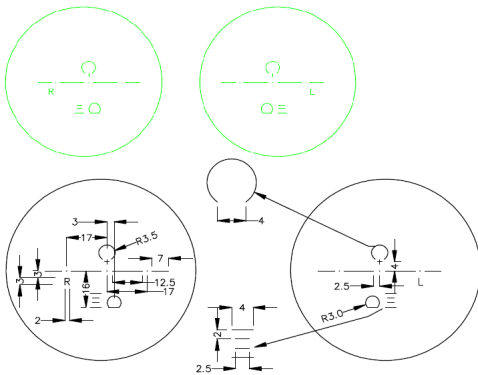
### Patented Thin-Tech Technology

The Thin-Tech Quattro lens is supremely suitable for an active lifestyle. It redefines the optimal visual fields for a more active and dynamic sport design, yet retains the critical aspect of perfect clarity throughout. Lens options include clear, our sun mirror collection or other materials.



### Design Characteristics

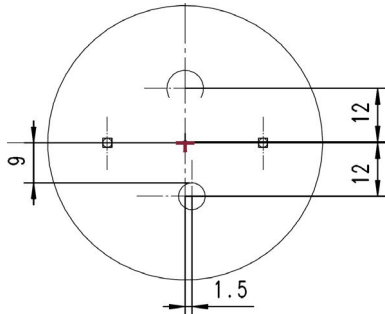
|   |                                |
|---|--------------------------------|
| Corridor Length (CL)                    | 6 / 8 / 10 mm                  |
| Near Reference Point (NP <sub>y</sub> ) | 9 / 11 / 13 mm                 |
| Fitting Height                          | 14 / 16 / 18 mm                |
| Inset                                   | 2.5 mm                         |
| Decentration                            | up to 10 mm at max. dia. 80 mm |
| Default Wrap                            | 5°                             |
| Default Tilt                            | 7°                             |
| Back Vertex                             | 12 mm                          |
| Customize                               | Yes                            |
| Wrap Support                            | Yes                            |
| Atorical Optimization                   | Yes                            |
| Frameselection                          | Yes                            |
| Max. Diameter                           | 80 mm                          |
| Addition                                | 0.50 - 5.00 dpt.               |
| Application                             | Universal                      |





## Solidar Office

### Enhanced Intermediate Zones for Different Purposes



In general, an office lens is an optimized reading lens with the ability to have clear vision also in the middle distance. The useable distance can be controlled by the dynamic power of the office lens. The more dynamic power the lens has, the more it can be used also for the distance. Single-vision reading glasses only correct the reading distance of 30- 40 cm. On computers, with homework or when you play an instrument, also the intermediate distances are important.

Any desired degressive (dynamic) power from 0.5 to 2.75 allows a distance view of 0.80 m up to 4.00 m.

We offer several progressive lenses that are designed specifically for computer and office use. These lenses offer enhanced intermediate and near viewing zones, at the expense of distance utility.

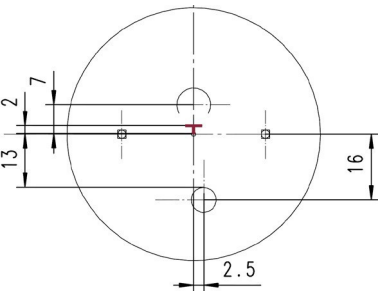
| Prescribed<br>Add. Power | Dynamic Power Office Lens |          |          |          |
|--------------------------|---------------------------|----------|----------|----------|
|                          | -0.75                     | -1.25    | -1.75    | -2.25    |
| 0.75                     | Infinity                  |          |          |          |
| 1.00                     | 4.00                      |          |          |          |
| 1.25                     | 2.00                      | Infinity |          |          |
| 1.50                     | 1.35                      | 4.00     |          |          |
| 1.75                     | 1.00                      | 2.00     | Infinity |          |
| 2.00                     | 0.80                      | 1.35     | 4.00     |          |
| 2.25                     |                           | 1.00     | 2.00     | Infinity |
| 2.50                     |                           | 0.80     | 1.35     | 4.00     |
| 2.75                     |                           |          | 1.00     | 2.00     |
| 3.00                     |                           |          | 0.80     | 1.35     |
| 3.25                     |                           |          |          | 1        |
| 3.50                     |                           |          |          | 0.80     |

Smart solutions for professionals.



## Solidar I-Relax

### Young Style Progressives



Different eyeglasses accomplish different effects and no lens is best suited for all activities. If you do spend an extended period of time doing task specific activities, such as reading, desk work or computer work, you may need task specific glasses. Mild add lenses are intended as a primary pair replacement for patients wearing single vision lenses. These lenses are recommended for 18-40 year old myopes experiencing symptoms of tired eyes.

The main benefits are:

- A slight power boost of a low addition in the lower portion of the lens to reduce eyestrain during close up activities
- Greater comfort than standard vision correction lenses due to

the accommodative relief in the near vision

|                       |                      |
|-----------------------|----------------------|
| Corridor Length (CL)  | 13 mm                |
| Fitting Height        | 18 mm                |
| Inset/Variable        | -                    |
| Decentration          | -                    |
| Default Wrap          | 5°                   |
| Default Tilt          | 7°                   |
| Back Vertex           | 13 mm                |
| Customize             | Yes                  |
| Wrap Support          | Yes                  |
| Atorical Optimization | Yes                  |
| Frameselection        | Yes                  |
| Max. Diameter         | 79 mm                |
| Addition              | 0.5 - 0.75 dpt.      |
| Application           | Progressive Starters |